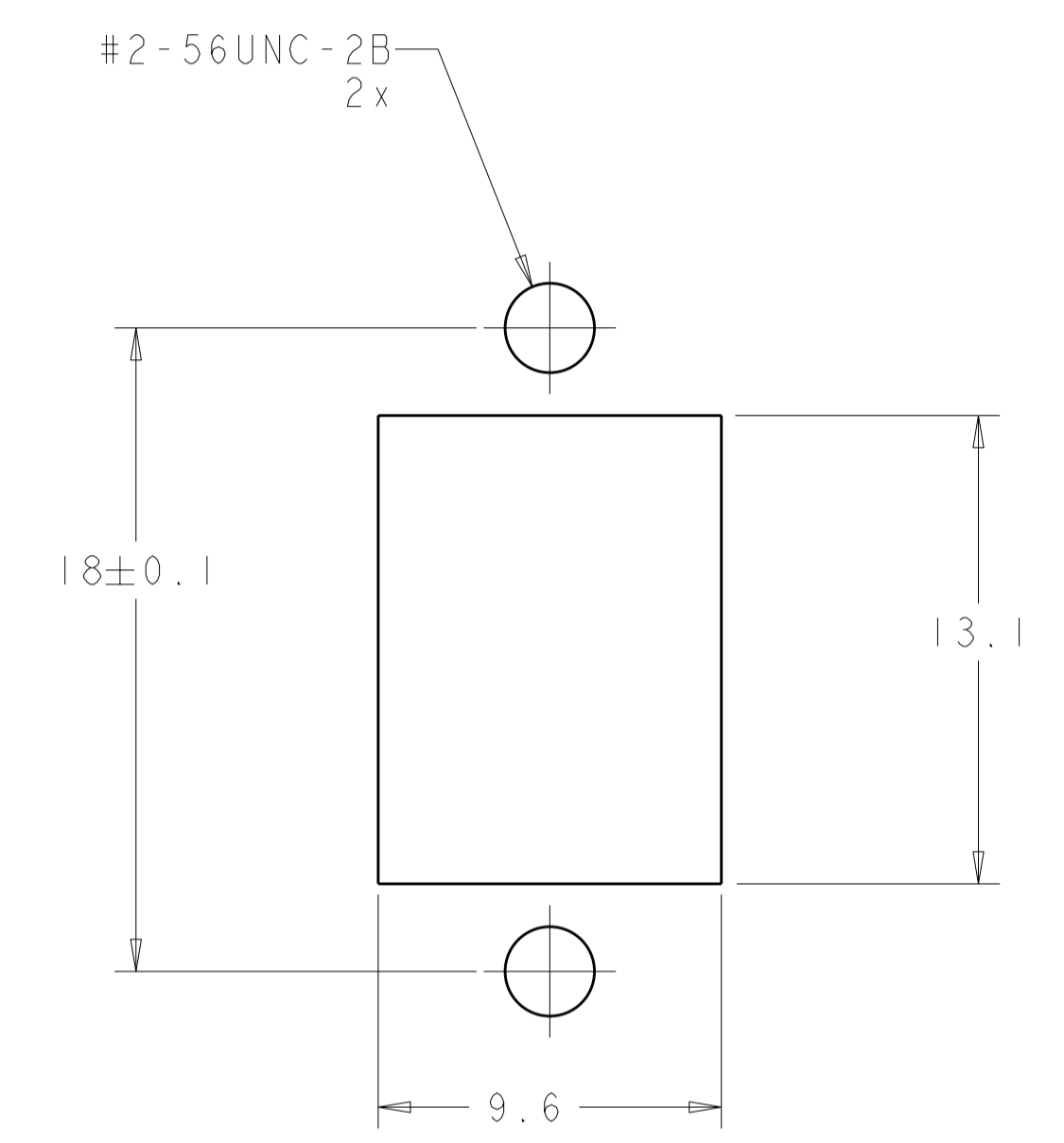
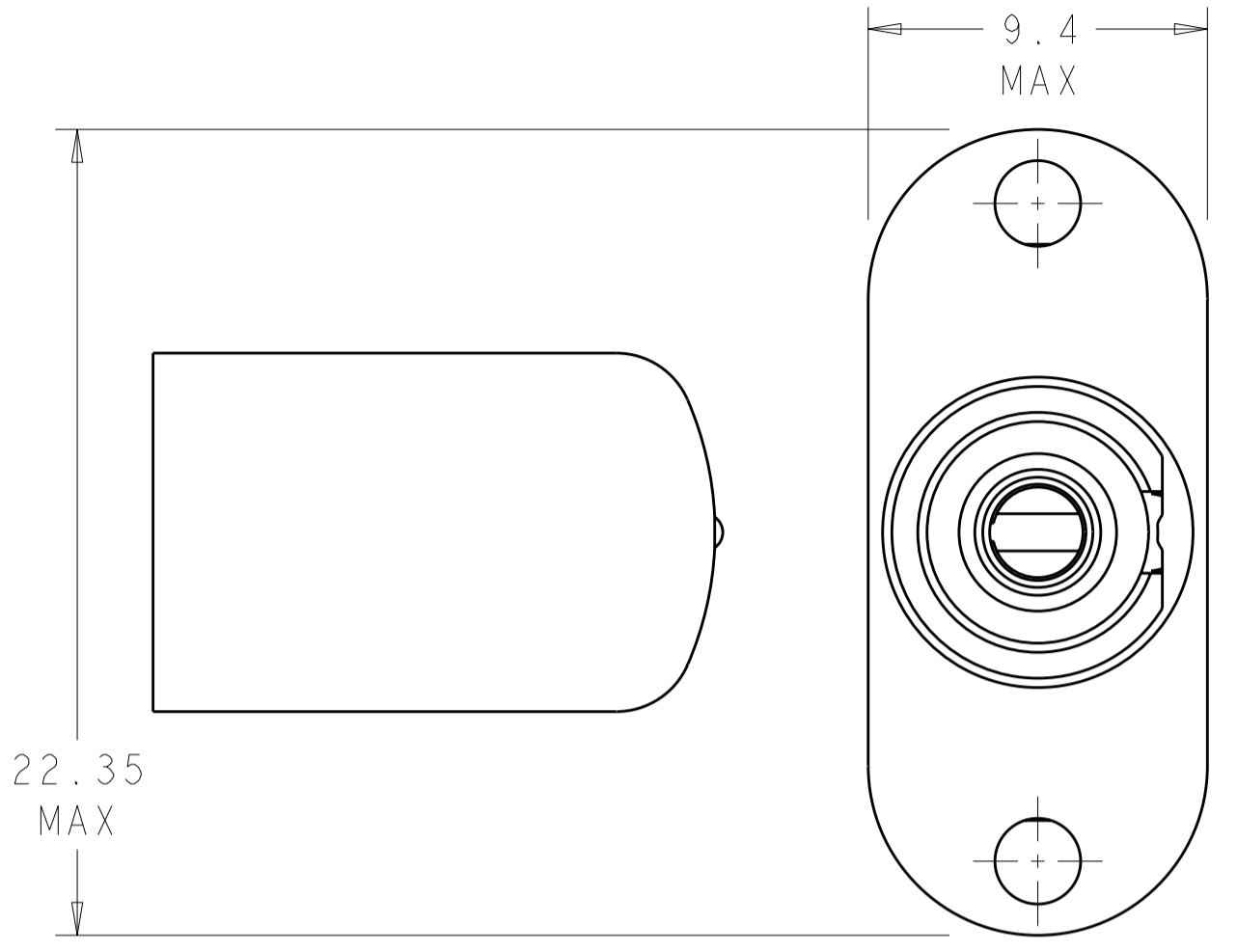
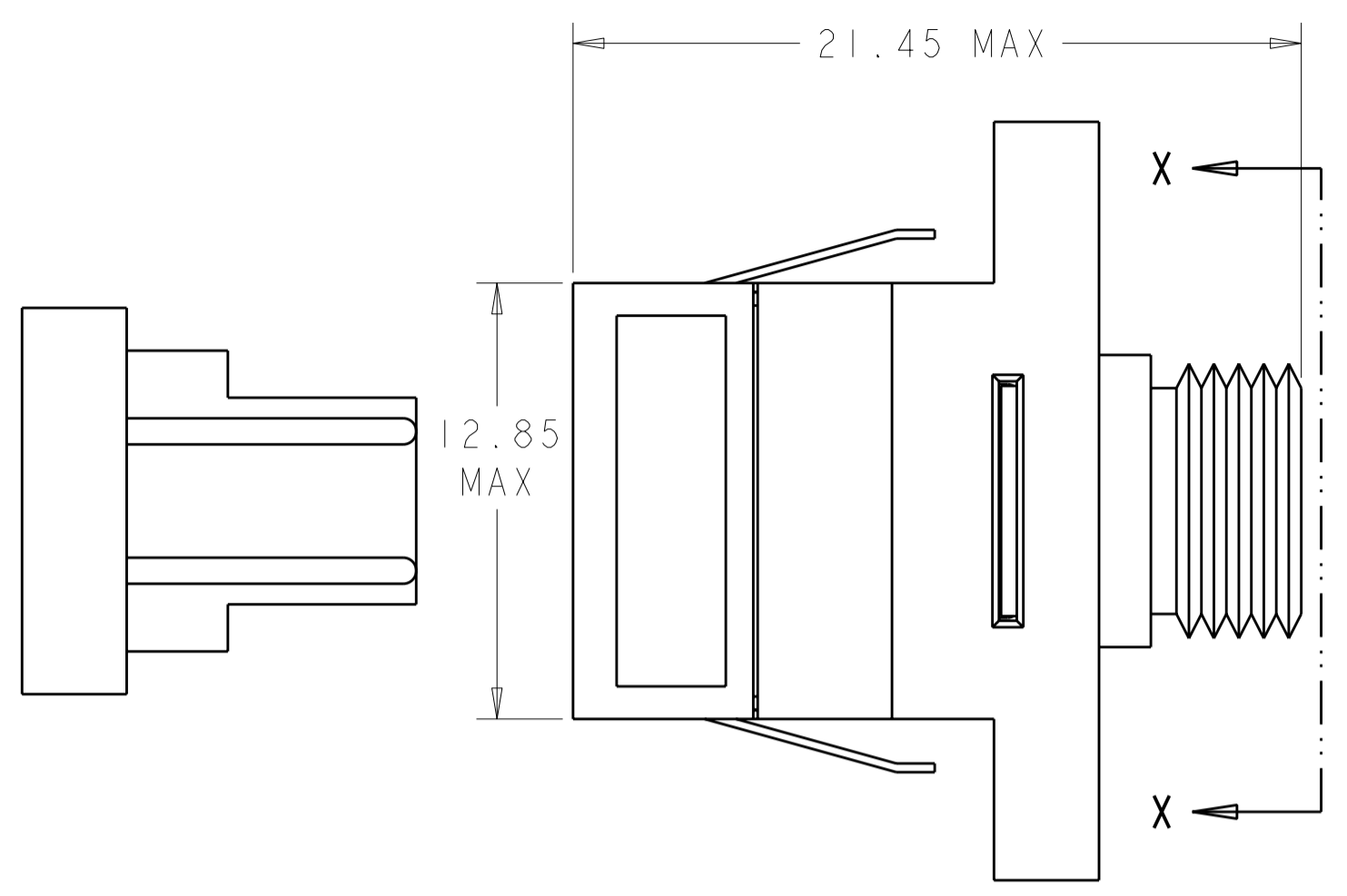


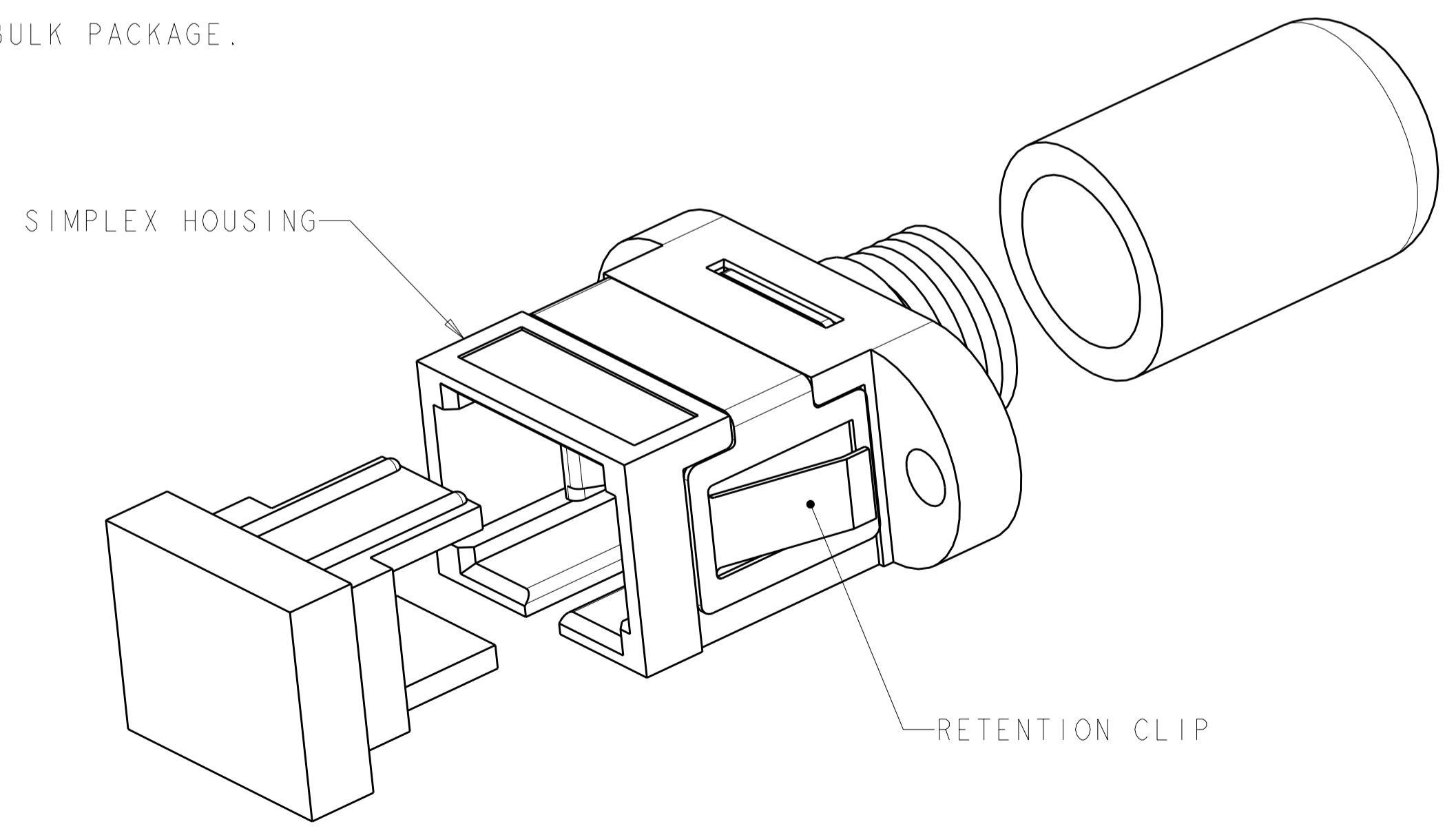
THIS DRAWING IS UNPUBLISHED. RELEASED FOR PUBLICATION 20
 © COPYRIGHT 20 BY TYCO ELECTRONICS CORPORATION. ALL RIGHTS RESERVED.

LOC	DIST	REVISIONS					
CE	00	P	LTR	DESCRIPTION	DATE	DWN	APVD
		A		REVISE PER ECR-06-000779	12JAN2006	BB	SB
		B		REVISE PER ECR-08-000844	23JAN2008	BB	SM



1 MATERIAL:
 HOUSING: PBT-GF30, SEE DASH NUMBERS FOR COLOR.*
 RETAINER: PEI-GF30, COLOR: BLACK.*
 RETENTION CLIP: STAINLESS STEEL.
 ALIGNMENT SLEEVE: SEE DASH NUMBERS.
 PROTECTIVE CAP: VINYL.
 PROTECTIVE COVER: TPE, COLOR: BLACK.*
 *UL94 V-0 RATED AT QUALIFYING THICKNESS.

2 BULK PACKAGE.



NONE	CERAMIC	BLACK	1-5502781-4
NONE	METAL	BLACK	1-5502781-3
2 RETENTION CLIP	CERAMIC	BLACK	1-5502781-0
2 RETENTION CLIP	METAL	BLUE	5502781-8
RETENTION CLIP	CERAMIC	BEIGE	5502781-6
RETENTION CLIP	CERAMIC	BLUE	5502781-5
RETENTION CLIP	CERAMIC	BLACK	5502781-4
RETENTION CLIP	METAL	BEIGE	5502781-3
RETENTION CLIP	METAL	BLUE	5502781-2
RETENTION CLIP	METAL	BLACK	5502781-1
INCLUDED HARDWARE	ALIGNMENT SLEEVE	COLOR	PART NUMBER

THIS DRAWING IS A CONTROLLED DOCUMENT FOR TYCO ELECTRONICS CORPORATION. IT IS SUBJECT TO CHANGE AND THE CONTROLLING ENGINEERING ORGANIZATION SHOULD BE CONTACTED FOR THE LATEST REVISION.		DWN B. BRIGGS 13MAY2005	Tyco Electronics Harrisburg, PA 17105-3608	
DIMENSIONS: mm		CHK S. MILLER 13MAY2005	NAME RECEPTACLE ASSEMBLY, AMP SC TO FC	
TOLERANCES UNLESS OTHERWISE SPECIFIED: 0 PLC ± 1 PLC ±0.1 2 PLC ±0.05 3 PLC ± 4 PLC ± ANGLES ± FINISH		APVD S. BUCHTER 13MAY2005	RESTRICTED TO	
MATERIAL		PRODUCT SPEC	SIZE A2	CAGE CODE 00779
1		APPLICATION SPEC	DRAWING NO 5502781	REV B
CUSTOMER DRAWING		WEIGHT	SCALE 5:1	SHEET 1 OF 1